

Rapier 48w Switch **Removable Fan Installation Guide**

AT-FAN04

Rapier 48w Switch Removable Fan Installation Guide
Document Number 613-000775 REV B

© 2007-2008 Allied Telesis, Inc. All rights reserved. No part of this publication may be reproduced without prior written permission from Allied Telesis, Inc.

Allied Telesis, Inc. reserves the right to change specifications and other information in this document without prior written notice. The information provided herein is subject to change without notice. In no event shall Allied Telesis, Inc. be liable for any incidental, special, indirect, or consequential damages whatsoever, including but not limited to lost profits, arising out of or related to this manual or the information contained herein, even if Allied Telesis, Inc. has been advised of, known, or should have known, the possibility of such damages.

All company names, logos, and product designs that are trademarks or registered trademarks are the property of their respective owners.

Models Covered by this Guide

This document describes how to install the AT-FAN04 fan-only module (FOM) in a Rapier 48w or 48w-B switch.

Package Contents

The following items are included with each FOM:

- one Installation Guide
- one warranty card

Installing a Fan-Only Module

Before you begin:

- Read the safety information for the switch.

Safety information is available in the *Rapier 48w Switch Installation and Safety Guide* bundled with every Rapier 48w and 48-B switch. You can also download this document from www.alliedtelesis.com/support/software.

- Gather necessary tools and equipment.

You will need a flat screwdriver to adjust the captive screws on the FOM.

For NEBS compliance, each FOM in DC models of the Rapier 48w and 48w-B must have an air filter installed. We recommend installing new air filters when you replace a FOM. Air filters must be purchased separately from your authorised Allied Telesis distributor or reseller.

- Verify the package contents if you have not already done so.

See “[Package Contents](#)” on [page 3](#). Contact your authorised distributor or reseller if items are damaged or missing.

You do not need to power down the switch to change a FOM, but you should replace FOMs one at a time.

1. Unpack the fan-only module.

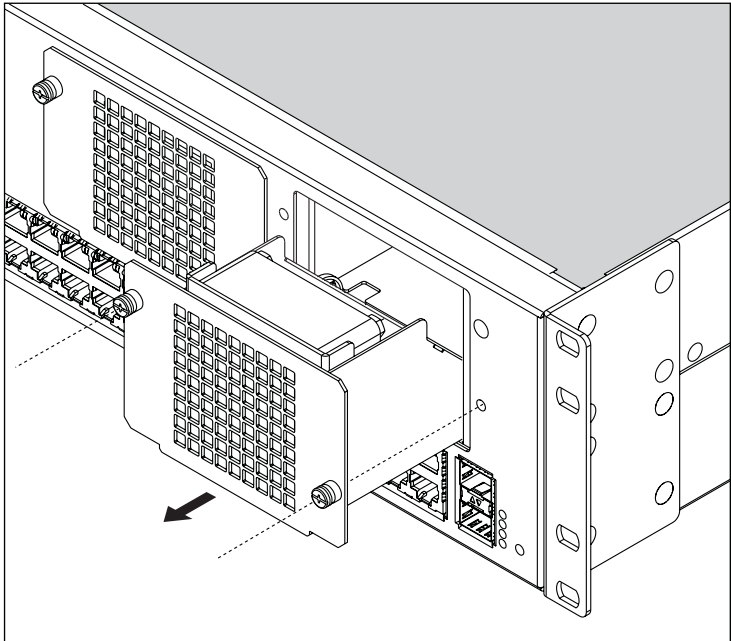


Caution Follow correct anti-static procedures when installing a FOM. Failure to do so could damage the FOM or the switch. If you are unsure about correct procedures, contact your authorised distributor or reseller.

While observing Electrostatic Discharge (ESD) precautions, remove the FOM from its packing material in an anti-static environment.

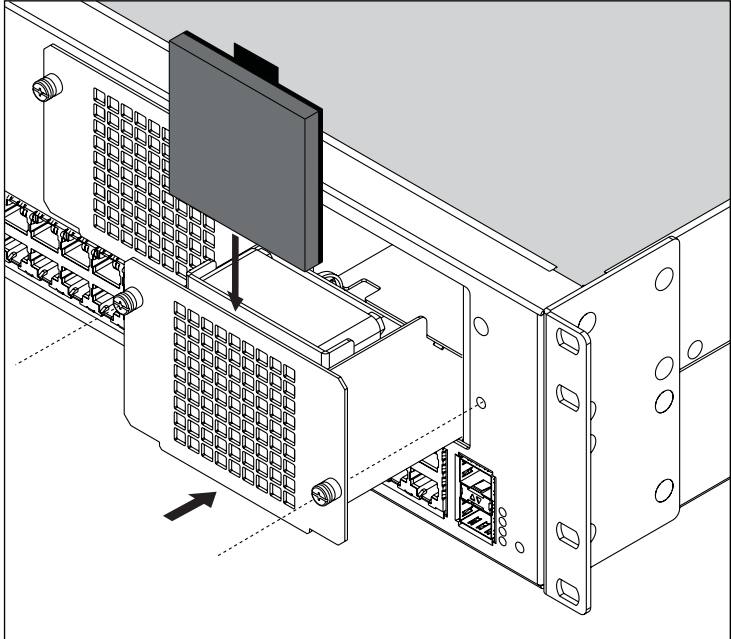
2. Remove the current fan-only module from the switch.

Using a flat screwdriver, loosen the captive screws on the faceplate of the FOM, and slide the FOM out of its cage. The internal power connection is quite solid so pull firmly on the captive screws.



3. Install filters in the replacement fan-only module (NEBS installation only).

Install an air filter in the replacement FOM. Insert the air filter into the narrow slot between the faceplate of the FOM and the fan. Position the air filter with the plastic frame towards the fan, the quadrafoam towards the faceplate, and the flextab to the top. The air filter should fit snugly.



4. Install the replacement fan-only module.



Caution Keep the FOM in straight alignment and insert it slowly. Forcing a misaligned FOM is likely to damage both the chassis and FOM.

Slowly and carefully slide the replacement FOM into the cage, making sure that the air filter and the flextab are clear of any contact points.

Firmly press the FOM until the faceplate engages, or nearly engages, the chassis.

5. Secure the fan-only module.

Tighten the two captive screws on the faceplate of the FOM.

Where to Find More Information

For more information about the Rapier 48w and 48-B switches, see the following documents:

- The *Rapier 48w Switch Installation and Safety Guide* describes how to install the Rapier 48w and 48w-B switches and includes statutory and safety information
- The *Rapier Series Switch Hardware Reference*, which contains detailed information on the hardware features of all Rapier Series switches
- The *Rapier Series Switch AlliedWare™ Operating System Software Reference*, which contains detailed information on configuring the switch and its software

You can download these documents from www.alliedtelesis.com.