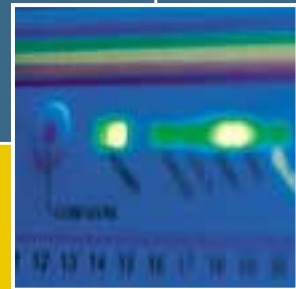
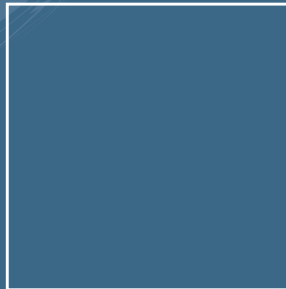
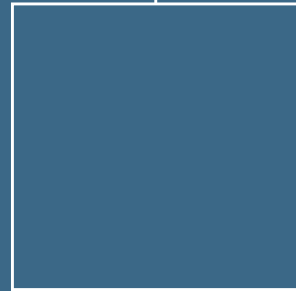


AR740 RPS

QUICK INSTALL GUIDE



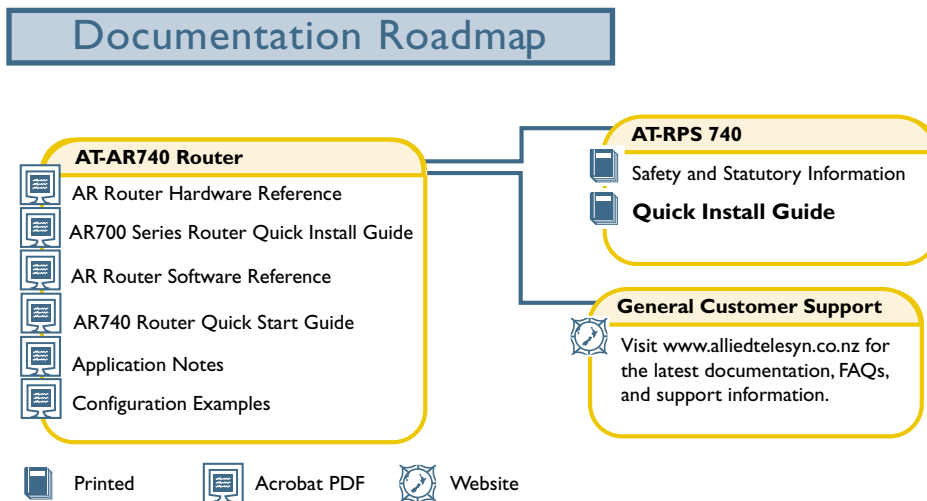
AT-RPS 740 Quick Install Guide
Document Number C613-04025-01 REV B.

Copyright © 1999-2001 Allied Telesyn International, Corp.
960 Stewart Drive Suite B, Sunnyvale CA 94086, USA.

All rights reserved. No part of this publication may be reproduced without prior written permission from Allied Telesyn.

Allied Telesyn International, Corp. reserves the right to make changes in specifications and other information contained in this document without prior written notice. The information provided herein is subject to change without notice. In no event shall Allied Telesyn be liable for any incidental, special, indirect, or consequential damages whatsoever, including but not limited to lost profits, arising out of or related to this manual or the information contained herein, even if Allied Telesyn has been advised of, known, or should have known, the possibility of such damages.

All trademarks are the property of their respective owners.



Package Contents

The following items are included with each AT-RPS 740. Contact your sales representative if any items are damaged or missing.

- One AT-RPS 740.
- Two AC power cords.
- Two DC cables for connecting the RPS to routers.
- One 19 inch rack-mount kit.
- One AT-RPS 740 Quick Install Guide.
- One Safety and Statutory Information booklet.
- One warranty card.

Selecting a Site

The RPS unit can be installed in a standard 19-inch rack or on a level surface such as a desktop or bench. When installing the RPS, choose a site that:

- Allows adequate airflow around the RPS vents. If RPS units are stacked on top of each other, their rubber feet must be fitted.
- Is free of dust and moisture.
- Will allow the RPS to operate within a temperature range of 0 to 40° C (32 to 104° F) and a humidity range of 5 to 95% non-condensing.
- Has a reliable and earthed (grounded), preferably dedicated and filtered, power supply circuit.
- Allows easy access to the RPS's cable connections.
- Will allow the RPS to be connected to a power supply and its routers, using the supplied cables.

Installing the RPS

Follow these steps to install the RPS:

1. Before installing the RPS, read the safety information.

For safety information, see the *Safety and Statutory Information booklet*. A copy of this booklet is supplied with the RPS, and can also be found at www.alliedtelesyn.co.nz/support/atrps740/index.html.

2. Gather the tools and equipment you will need.

To install the RPS in a rack you will also need a screwdriver, screws to attach the rack-mount brackets to the rack, and cage nuts.

You will also need the cables that were packed with the RPS.

3. Choose a suitable site for the RPS.

Either a flat surface or 19 inch rack.

4. Unpack the RPS.

Verify the package contents. If any items are damaged or missing, contact your sales representative.

5. Place the RPS in its operating location.

See the previous Selecting a Site section for guidelines on choosing a suitable location.

If installing the RPS on a desktop:

- Make sure the RPS's rubber feet are attached.

If installing the RPS in a rack:

- Remove the rubber feet.
- Attach the rack-mounting brackets.
- Mount the RPS in the rack.

6. Connect the DC cable(s).

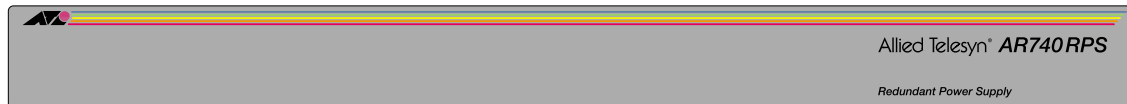
Using the DC cables that were included with your RPS, connect each cable to a router and then to the RPS.

7. Connect the AC power supply cable(s).

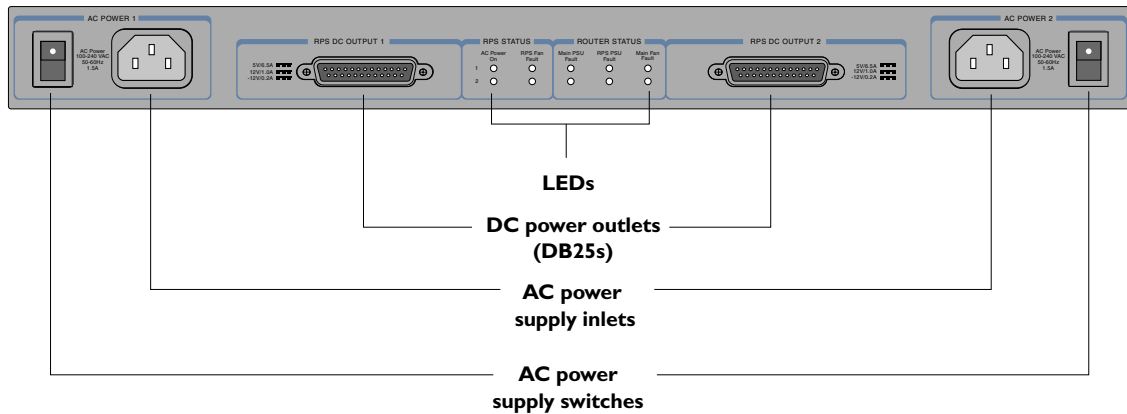
Using the supplied AC power cord(s), connect the RPS to a mains power supply and then switch the power switch(es) to the ON position.

Figure 1: AT-RPS 740.

Front panel



Rear panel



8. Check the RPS LEDs.

Check the RPS's LEDs to verify that the RPS is operating correctly. Note that the RPS effectively consists of two RPS supply units, and each unit has its own set of LEDs.

Fault Indicators and What They Mean

LEDs on the rear panel indicate the RPS's operational status.

Table 1: LEDs.

LED	State	Function
Power	Green	The RPS unit is receiving AC power and the voltage is within an acceptable range.
RPS Fan Fault	Amber	The RPS is switched OFF. Mains power to the RPS has failed. An RPS fan has failed.
	Off	Normal operation.
Main PSU Fault	Amber	The corresponding router is switched OFF or its PSU has failed. Mains power to the router has failed. The DC cable between the router and RPS is not connected. The RPS is supplying power to the router.
	Off	Normal operation.
RPS PSU Fault	Amber	The RPS is switched OFF or its PSU has failed. Mains power to the RPS has failed. The DC cable between the corresponding router and RPS is not connected.
	Off	Normal operation.
Main Fan Fault	Amber	The DC cable between the corresponding router and RPS is not connected. A main router fan has failed.
	Off	Normal operation.

If an LED indicates a fault, follow these steps:

1. Check that all cable connections are correct and secure.
2. Check that both the RPS and the router are switched ON.
3. Check that the RPS is receiving the correct AC voltage.
4. If the LEDs indicate a router fault, verify that the fault exists (check the router's fans and LEDs) and, if necessary, replace the router or have it serviced by authorised service personnel.

If the LEDs still indicate a fault, but no fault exists on the router or power supply circuits, or if the LEDs indicate an RPS fault, contact your authorised Allied Telesyn distributor or reseller.

Where to Find More Information

There are three sources of further information:

- The Statutory and Safety Information booklet for the AT-RPS 740, which includes important safety information and statutory declarations.
- The *AR Router Hardware Reference*, which includes detailed hardware specifications and pinout information for the RPS.
- The *Software Reference* for your router, which provides detailed information on configuring the router and its software.
- The *AR740 Quick Start Guide*, which provides introductory information on network connections for the AR740 Router.

These documents can be downloaded from www.alliedtelesyn.co.nz/support/atrps740/index.html.