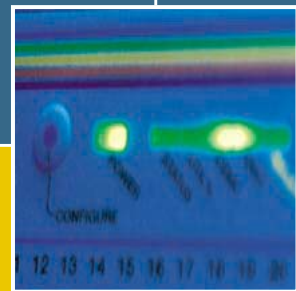
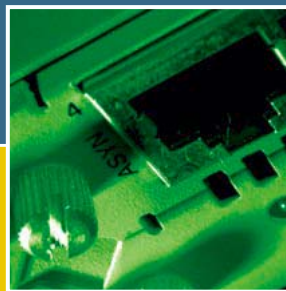
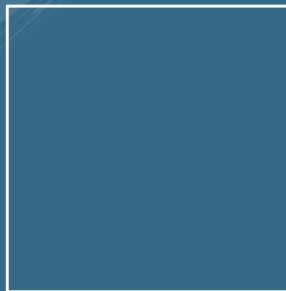


AR300 SERIES ROUTER

QUICK INSTALL GUIDE



AR300 Series Router Quick Install Guide
Document Number C613-04026-01 REVC.

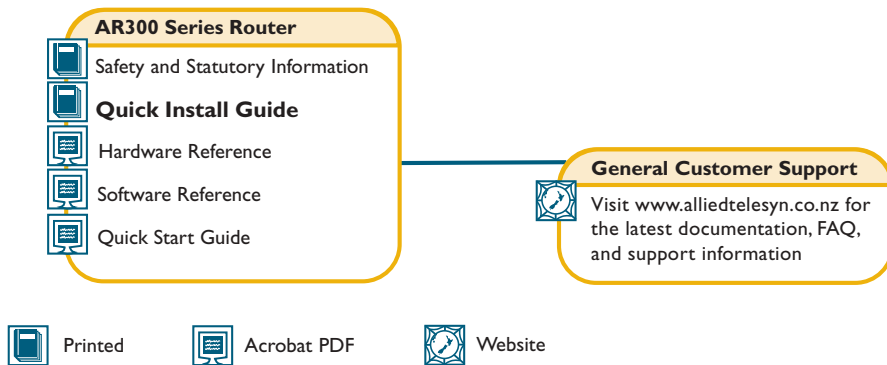
Copyright © 1999-2002 Allied Telesyn International, Corp.
19800 North Creek Parkway, Suite 200, Bothell, WA 98011, USA.

All rights reserved. No part of this publication may be reproduced without prior written permission from Allied Telesyn.

Allied Telesyn International, Corp. reserves the right to make changes in specifications and other information contained in this document without prior written notice. The information provided herein is subject to change without notice. In no event shall Allied Telesyn be liable for any incidental, special, indirect, or consequential damages whatsoever, including but not limited to lost profits, arising out of or related to this manual or the information contained herein, even if Allied Telesyn has been advised of, known, or should have known, the possibility of such damages.

All trademarks are the property of their respective owners.

Documentation Roadmap



Models Covered By This Guide

This Quick Install Guide includes information on the following models:

- AR300L(S)
- AR300(S)
- AR310(S)
- AR320
- AR330
- AR350
- AR370(S)
- AR370(U)
- AR390
- AR395

Quick Install Guide updates can be found at www.alliedtelesyn.co.nz/documentation/documentation.html.

Package Contents

The following items are included with each AR300 Series router. Contact your sales representative if any items are damaged or missing.

- One AR300 Series router.
- One AC power cord.
- One terminal cable for connecting the router to a terminal or PC.
- Two ISDN network cables.
- One AR300 Series router Quick Install Guide.
- One Safety and Statutory Information booklet.
- One AR300 Series router Documentation and Tools CD-ROM (which includes the complete AR300 Series Document Set, and utilities).
- One warranty card.

Selecting a Site

The router should be installed on a level surface such as a desktop or bench. When installing the router, choose a site that:

- Allows adequate airflow around the router and its vents. Do not stack routers directly on top of one another as this leaves insufficient room for airflow.
- Is free of dust and moisture.
- Will allow the router to operate within a temperature range of 0 to 40° C (32 to 104° F) and a humidity range of 5 to 95% non-condensing.
- Has a reliable and earthed (grounded), preferably dedicated and filtered, power supply circuit.
- Does not expose cabling to sources of electrical noise, such as radios, transmitters, broadband amplifiers, power lines, electric motors, and fluorescent fixtures.
- Allows easy access to the router's power and cable connections.

Installing the Router



This equipment must be earthed.

Follow these steps to install the router:

1. Read the safety information

For safety information, see the *Safety and Statutory Information booklet*. A copy of this booklet is supplied with each router, and can also be found on the Documentation and Tools CD-ROM or at www.alliedtelesyn/documentation/documentation.html.

2. Choose a suitable site for the router

A flat, clean, dust free surface.

3. Unpack the router

Verify the package contents. If any items are damaged or missing, contact your sales representative.

4. Place the router in its operating location

See the previous Selecting a Site section for guidelines on choosing a suitable location.



Do not stack AR300 Series routers directly on top of one another as this will impede air flow past the fan vents.

5. Check the supply voltage and the router's rated voltage

AR300 Series routers are fitted with a universal mains power supply that will function over the range 100-240 VAC and 50-60Hz.



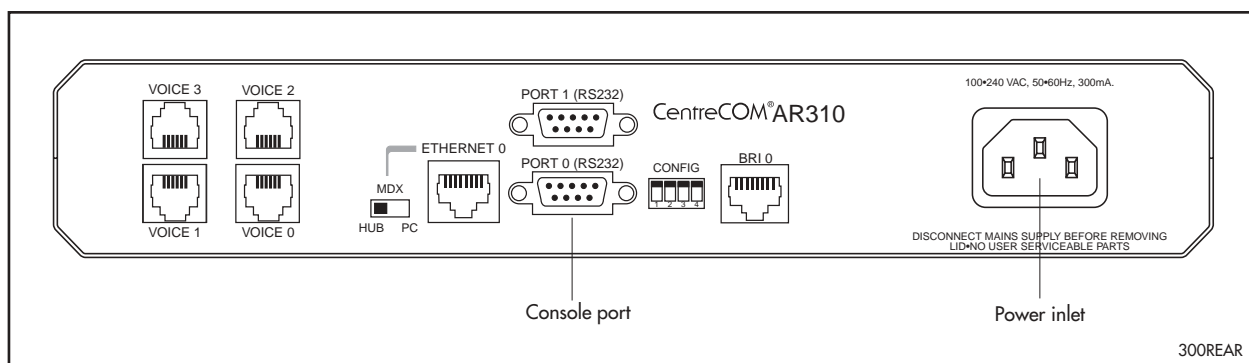
The specific power supply requirements for a particular model are displayed on the rear or underside of the router. If the supply is outside the accepted range for the router, the router may not operate, and damage to the router may result.

6. Apply power to the router

Plug the power cord into the AC power connector on the router's rear panel (Figure 1). The Power LED on the router's front panel will light, and the System LED (also on the front panel) will light briefly.

If the power LED fails to light, or the System LED lights continuously, refer to the troubleshooting section later in this guide.

Figure 1: Power inlet and console port locations on the rear panel of an AR300 Series router.



7. Connect the data cables

Make sure that each cable connection is secure.

8. Initiate router start-up

Using the terminal cable supplied with your router, connect a VT100-compatible terminal, or the COM port of a PC running a terminal emulation program such as Windows Terminal, to the console port (port 0) on the router's rear panel.

Set the communication parameters on your terminal or terminal emulation program to:

- Baud rate: 9600
- Data bits: 8
- Parity: None
- Stop bits: 1
- Flow control: Hardware

See the *AR Router Hardware Reference* for more information on configuring emulation software.

9. Log in and the set password

The log in prompt appears on the terminal or PC. If the log in prompt doesn't appear, press [Enter] two or three times.

When the router boots for the first time it automatically creates an account with manager privileges. The account has the log in name "manager" and the password is "friend".

At the log in prompt, enter the log in name and password.

```
Log in: manager
Password: friend
```

The router's command prompt appears and you can now configure the router using the command line interface.



Change the password as soon as possible. Leaving the manager account with the default password is a serious security risk. Make sure that you remember the new password as there is no way to retrieve it if it is lost.

Use the following command to change the account password:

```
set password
```

To access help, enter:

```
set help=help-filename
```

where *help-filename* is the name of a help file stored in flash.

To see a list of files stored in flash, enter:

```
show file
```

Help files have an HLP extension.

To display a list of help topics, enter:

```
help
```

To display help on a specific topic, enter:

```
help topic
```

Alternatively, type a question mark (?) at the end of a partially completed command to see a list of valid options.

See the *AR Series Router Software Reference* for more information on router start-up and configuration procedures (including a list of message definitions).

LEDs and What They Mean

System LEDs on its front panel indicate the router's operational status.

Table 1: System LEDs

LED	Function
System (red)	This LED is not normally lit. It is used to signal various system conditions (e.g., when the processor executes the reboot sequence). Generally it signals a possible fault condition, but it will light briefly during power-up and operator initiated reboots.
Run	Lit when the internal processor is executing code. If the processor stops for any reason (a fault condition), then the LED will not be lit.
Power	Lit when power is supplied and the router is switched on.

Table 2: Port LEDs (Not all routers have all LEDs).

LED	Function
ISDN Active	Lit when the BRI has successfully completed the exchange of INFO 1 and INFO 2 signals, and INFO 3 and INFO 4 signals are present on the link. This means that the ISDN interface is correctly connected to a working NT device.
ISDN B1	Lit when data or voice calls are being transmitted over the B1 channel of the ISDN interface.
ISDN B2	Lit when data or voice calls are being transmitted over the B2 channel of the ISDN interface.
LAN Coll (yellow)	Lit when a collision is detected on the Ethernet interface.
LAN Data 0	Lit when data is being transmitted over the Ethernet 0 interface.
LAN Data 1	Lit when data is being transmitted over the Ethernet 1 interface.
LAN Link	Lit when the Ethernet interface is connected to a device (e.g., a hub), which is generating link pulses. This LED is normally lit.
LAN Link 0	Lit when the Ethernet 0 interface is connected to a device (e.g., a hub), which is generating link pulses. This LED is normally lit.
LAN Rxd	Lit when data is being received on the Ethernet interface.
LAN Txd	Lit when data is being transmitted over the Ethernet interface.
LAN Link 1	Lit when the Ethernet 1 interface is connected to a device (e.g., a hub), which is generating link pulses. This LED is normally lit.
WAN Active	Lit when a higher layer module (e.g., PPP) has attached to the interface and DCD or its analog ("I" for X.21) is active. This usually indicates that the NTU or DSU/CSU is connected to a correctly provisioned data circuit.
WAN ISDN	Lit when data is being transmitted or received over the ISDN interface.
WAN Rxd	Lit when data is being received over the synchronous interface.
WAN Syn	Lit when data is being transmitted or received over the synchronous interface.
WAN Txd	Lit when data is being transmitted over the synchronous interface.

Troubleshooting Installation

If you have problems installing the router, try one or more of the following:

No LEDs Light

The most likely reason is that the router is not receiving power. Check the following:

1. Check that the supply outlet's switch is in the ON position.
2. Test the mains power outlet to verify that it is working.
3. The router's fuse may have failed? Contact your authorised Allied Telesyn distributor or reseller for assistance.

If the problem persists, please contact your authorised Allied Telesyn distributor or reseller.

LEDs Light Incorrectly

If the System LED stays on, the router software has encountered a fatal condition. Contact your authorised Allied Telesyn distributor or reseller.

No Response From the Terminal

1. Is the terminal cable correct for both the terminal and the router? Test the cable operation by connecting Txd and Rxd (pins 2 and 3) together at the router end of the cable. Characters typed on the terminal should be echoed back to the screen.
2. Are the terminal or terminal emulation software communication parameters set correctly? Refer to the *AR Router Hardware Reference* for more information on setting communications parameters.
3. Contact your authorised Allied Telesyn distributor or reseller for assistance.

Log in Name or Password Fails

1. Passwords are case sensitive. Check your spelling and that you are using the right combination of upper and lowercase characters.
2. Contact your authorised Allied Telesyn distributor or reseller for assistance.

Documentation and Tools CD-ROM

The Documentation and Tools CD-ROM bundled with each router contains the complete Document Set for your router. The CD-ROM also includes tools for managing your router.

The Document Set includes:

- The *Safety Booklet* for your router, which provides safety and statutory information.
- This *AR300 Series Router Quick Install Guide*, which outlines the procedure for installing an AR300 series router.
- The *AR300 Series Router Quick Start Guide*, which provides introductory information on network connections for AR300 Series Routers.
- The *AR Router Hardware Reference*, which provides detailed information on the hardware features of AR routers.
- The *Software Reference* for your router, which provides detailed information on configuring the router and its software.
- AT-TFTP Server for Windows, for downloading software releases.
- Adobe Acrobat Reader, for viewing online documentation.
- Netscape Communicator.
- Microsoft Internet Explorer.

These documents can also be downloaded from the AR Router Support Site at www.alliedtelesyn.co.nz/documentation/documentation.html.