

AR400 Series Router Quick Install Guide



- AR410
- AR410S
- AR440S
- AR441S
- AR450S

AR400 Series Quick Install Guide
Document Number C613-04058-00 REV B.

Copyright © 2004 Allied Telesyn International, Corp.
19800 North Creek Parkway, Suite 200, Bothell, WA 98011, USA.

All rights reserved. No part of this publication may be reproduced without prior written permission from Allied Telesyn.

Allied Telesyn International, Corp. reserves the right to make changes in specifications and other information contained in this document without prior written notice. The information provided herein is subject to change without notice. In no event shall Allied Telesyn be liable for any incidental, special, indirect, or consequential damages whatsoever, including but not limited to lost profits, arising out of or related to this manual or the information contained herein, even if Allied Telesyn has been advised of, known, or should have known, the possibility of such damages.

All trademarks are the property of their respective owners.

Table of Contents

Electrical Safety Statements	4
Models Covered By This Guide	5
Package Contents	5
Selecting a Site	6
Installing the Router	7
Configuring the Router	9
AR440S and AR441S Default Configuration	15
Connecting the Data Cables	16
System LEDs	17
Documentation and Tools CD-ROM	19
Emission Compliance Statements	20
Safety	23
Sicherheit	24
Sikkerhed	25
Veiligheid	26
Sécurité	27
Turvallisuus	28
Norme di Sicurezza	29
Sikkerhet	30
Segurança	31
Seguridad	32
Säkerhet	33
Connection to mains voltage supply	34
Telecommunications Interfaces	34
Canadian Department of Communications	37
EC Declaration of Conformity	38

Electrical Safety Statements

Electrical Safety

IMPORTANT: This equipment must be installed in accordance with safety precautions ([Safety](#), page 23).

Elektrische Sicherheit

WICHTIG: Für die Installation dieses Gerätes ist die Einhaltung von Sicherheitsvorkehrungen erforderlich ([Sicherheit](#), Seite 24).

Elektrisk sikkerhed

VIGTIGT: Dette udstyr skal installeres i overensstemmelse med sikkerhedsadvarselne ([Sikkerhed](#), side 25).

Elektrische veiligheid

BELANGRIJK: Dit apparaat moet in overeenstemming met de veiligheidsvoorschriften worden geïnstalleerd ([Veiligheid](#), pagina 26).

Sécurité électrique

IMPORTANT: Cet équipement doit être utilisé conformément aux instructions de sécurité ([Sécurité](#), page 27) .

Sähköturvallisuus

TÄRKEÄÄ: Tämä laite on asennettava turvaohjeiden mukaisesti ([Turvallisuus](#), sivu 28).

Sicurezza elettrica

IMPORTANTE: questa apparecchiatura deve essere installata rispettando le norme di sicurezza ([Norme di Sicurezza](#), pagina 29).

Elektrisk sikkerhet

VIKTIG: Dette utstyret skal installeres i samsvar med sikkerhetsregler ([Sikkerhet](#), side 30).

Segurança eléctrica

IMPORTANTE: Este equipamento tem que ser instalado segundo as medidas de precaução de segurança ([Segurança](#), página 31).

Seguridad eléctrica

IMPORTANTE: La instalación de este equipo deberá llevarse a cabo cumpliendo con las precauciones de seguridad ([Seguridad](#), página 32).

Elsäkerhet

OBS! Alla nödvändiga försiktighetsåtgärder måste vidtas när denna utrustning används ([Säkerhet](#), sida 33).

Models Covered By This Guide

This Quick Install Guide includes information on these models:

- AR410
- AR410S
- AR440S
- AR441S
- AR450S

Package Contents

Item included for each router	AR410 AR410S	AR440S AR441S	AR450S
One AR400 Series router	✓	✓	✓
One AC power cord	✓	✓	✓
One power cord retaining clip	✓	✓	✓
One serial cable for connecting the router to a terminal or PC	✓		
One serial null modem cable for connecting the router to a terminal or PC		✓	✓
Two UTP network cables	✓	✓	✓
One ADSL cable		✓	
One 19 inch rack-mount kit	✓		✓
One <i>AR400 Series Router Quick Install Guide</i> (includes safety and statutory information).	✓	✓	✓
One AR400 Series Router Documentation and Tools CD-ROM (includes the complete AR400 Series Document Set and utilities)	✓	✓	✓
One warranty card	✓	✓	✓

Contact your authorised distributor or reseller if any items are damaged or missing.

Selecting a Site

AR410, AR410S, AR450S You can install the router on a level surface such as a desktop or bench, or in a standard 19-inch rack, using the rack-mount kit supplied with the router.

AR440S, AR441S The router can be installed on a level surface such as a desktop or bench, in a standard 19-inch rack, or on a firm wall.

When you install the router, choose a site that:

- allows adequate airflow around the router and its vents.
- is free of dust and moisture.
- AR410, AR410S, AR450S: will maintain an ambient temperature range of 0° C to 40° C (32° F to 104° F) and a humidity range of 5% to 80% non-condensing. AR440S, AR441S: will maintain an ambient temperature range of 0° C to 50° C (32° F to 122° F) and a humidity range of 5% to 80% non-condensing.
- has a reliable and earthed (grounded) power supply, preferably dedicated and filtered.
- does not expose cabling to sources of electrical noise such as radio transmitters, broadband amplifiers, power lines, electric motors, and fluorescent fixtures.
- allows easy access to the switch's power and cable connections.

Installing the Router



Warning This equipment must be earthed.

Prepare to install the router

1. Read the safety information

Read the safety information included in this *Quick Install Guide*. This *Quick Install Guide* is also on the Documentation and Tools CD-ROM and you can download a copy from [http:// www.alliedtelesyn.co.nz/support/ar400/](http://www.alliedtelesyn.co.nz/support/ar400/).

2. Unpack the router.

Verify the package contents. If any items are damaged or missing, contact your sales representative.

3. Place the router in its operating location.

See the previous section “[Selecting a Site](#)” on page 6 for guidelines on choosing a suitable location.

For instructions on rack or wall mounting the router, see the *AR400 Series Hardware Reference*.

4. Install expansion options.

If you purchased an optional PIC, install it now by following the *Port Interface Card Quick Install Guide*. That guide can be found with the PIC, on the Documentation and Tools CD-ROM, or can be downloaded from [http:// www.alliedtelesyn.co.nz/support/ar400/](http://www.alliedtelesyn.co.nz/support/ar400/).

5. Check the supply voltage and the router’s rated voltage.

AR400 Series routers are fitted with a universal mains power supply that will function over the range 100-240 VAC and 50–60Hz.



Warning The specific power supply requirements for a particular model are clearly displayed on the rear or underside of the router. If the supply is outside the accepted range for the router, the router may not operate or damage to the router may result.

6. Apply power to the router.

Fit the power cord retaining clip to the AC power inlet on the router's rear panel.

Connect the provided power cord to the AC power inlet and clip it in place. Switch the router's power switch to the ON position. The Power LED lights continuously and the System LED lights briefly. The Port LEDs also light briefly.

If the LEDs fail to light, the most likely cause is that the router is not receiving power. Check that:

- The power supply outlet's switch (if any), and the router's power switch, are in the ON position,
- The power cable is securely plugged in, and
- The power supply is operational.

Configuring the Router

AR400 Series routers can be configured via the Command Line Interface (CLI) or Graphical User Interface (GUI).

AR410, AR410S, AR450S You must first use the CLI to assign an IP address to the router (“Using the CLI to configure a router” on page 9). You may then use the CLI or the GUI (“Using the GUI to configure the router” on page 10) to complete the configuration.

AR440S, AR441S We recommend starting to configure the router using the GUI (“Using the GUI to configure the router” on page 10). You can then use the CLI if necessary to complete your configuration (“Using the CLI to configure a router” on page 9). The AR440S and AR441S routers have a default configuration (“AR440S and AR441S Default Configuration” on page 15).

Using the CLI to configure a router



Caution AR440S, AR441S only

Only one DHCP server should usually be enabled on a network. If you have an existing DHCP server, we recommend disabling either it or the DHCP server configured by default on the router.

If another device on your network already uses the router’s default IP address, 192.168.1.1, do not connect the router to the network until you have changed the IP address of the router’s default VLAN by using the command line.

I. Initiate router start-up.

Using the terminal cable supplied, connect a VT100-compatible terminal, or the COM port of a PC running a terminal emulation program such as Windows Hyper Terminal, to the Console RS-232 (ASYNO) port on the router’s rear panel.

Set the communication parameters on your terminal or terminal emulation program to:

- Baud rate: 9600
- Data bits: 8
- Parity: None
- Stop bits: 1
- Flow control: Hardware

See the *AR400 Series Router Hardware Reference* for more information on configuring emulation software.

2. Log in and set the password.

The log in prompt appears on the terminal or PC. If the log in prompt does not appear, press [Enter] two or three times.

When the router boots for the first time it automatically creates an account with manager privileges. The account has the log in name “manager” and the password is “friend”. Passwords are case sensitive.

At the log in prompt, enter the log in name and password.

```
Login: manager
```

```
Password: friend
```

The router’s command prompt appears and you can now configure the router using the command line interface.



Warning Change the password as soon as possible. Leaving the manager account with the default password is a serious security risk. Make sure you remember the new password as there is no way to retrieve it if it is lost.

Use the following command to change the account password:

```
set password
```

To display a list of help topics, enter:

```
help
```

To display help on a specific topic, enter:

```
help topic
```

Alternatively, type a question mark (?) at the end of a partially completed command to see a list of valid options.

See the *AR400 Series Router Software Reference* for more information on router start-up and configuration procedures (including a list of message definitions).

Using the GUI to configure the router

This section describes how to access the GUI via a switch port in VLAN1, when the PC and the router are in the same subnet, in order to configure the router. The router’s switch ports all belong to VLAN1 by default.

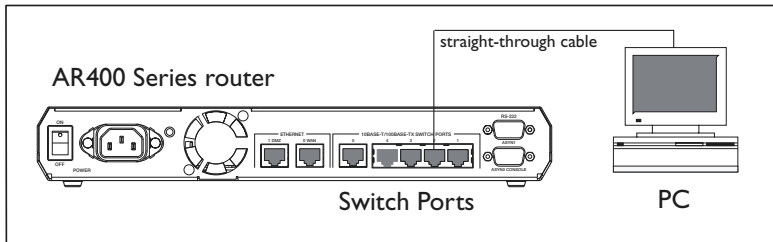
The GUI requires a PC and web browser. Supported browsers are Internet Explorer 5.0 and greater and Netscape 6.2.2 or greater, with JavaScript enabled. If you are using a toolbar or plug-in on your browser to block pop-ups, disable it while using the GUI. The GUI displays detailed configuration options and information in pop-up windows.

Configure the AR410, AR410S or AR450S using the GUI

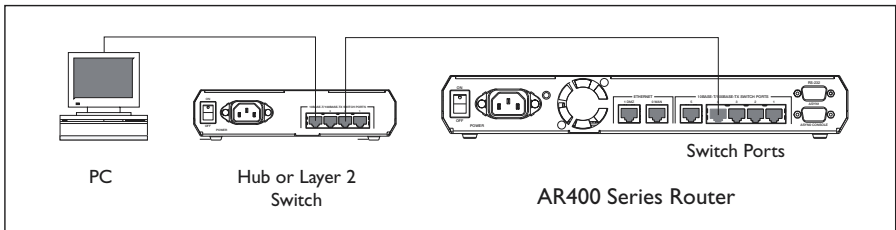
1. Connect the PC to a router switch port.

The PC can be connected directly, or through your LAN.

To connect the PC directly to the router, use a straight-through Ethernet cable to connect an Ethernet card on the PC to any one of the router's switch ports. Note the PC's IP address and mask.



To connect via a LAN, use an Ethernet cable to connect the router's switch port(s) to the device(s) on the LAN. Connect AR410 and AR410S routers through port 4 and ensure that the PC/hub switch is pressed in. Select the LAN PC from which you wish to configure the router. The PC should be in the same subnet as the part of the LAN that contains the router (for example, the PC could be connected to a hub or Layer 2 switch that is directly connected to one of the router's switch ports). Note the PC's IP address and mask.



2. Access the CLI on the router.

Follow the instructions in the previous “Using the CLI to configure a router” section.

3. Enable IP.

At the CLI, enter the command:

```
enable ip
```

4. Assign an IP address to VLAN1.

Assign the VLAN1 interface an IP address in the subnet that the PC uses, using the command:

```
add ip interface=vlan1 ip=ipaddress mask=mask
```

5. Browse to the GUI.

If you access the Internet through a proxy server, set your browser to bypass the proxy for the IP address you assigned to the VLAN1 interface.

Point your web browser at the IP address of the VLAN interface.

6. Log in and set the password.

At the log in prompt, enter the log in name and password. Passwords are case sensitive.

```
User Name: manager
```

```
Password: friend
```

The system status page appears and you can now use the GUI to configure the router.

Important To ensure configuration settings are saved correctly, use the GUI menus and buttons to navigate, not your browser's buttons.



Caution As a security precaution, change the password as soon as possible.

To change the password, select Management > Users from the sidebar menu. Select the Manager account and click Modify.

7. To access context-sensitive help in the GUI.

Click on the Help Button [Help]. The Help button is located at the top of the sidebar menu or on any popup page.

Configure the AR440S or AR441S using the GUI

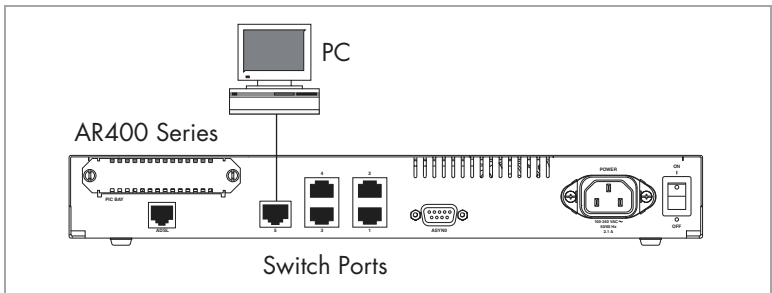


Caution Only one DHCP server should usually be enabled on a network. If you have an existing DHCP server, we recommend disabling either it or the DHCP server configured by default on the router. If another device on your network already uses the router's default IP address, 192.168.1.1, do not connect the router to the network until you have changed the management port's address by using the command line.

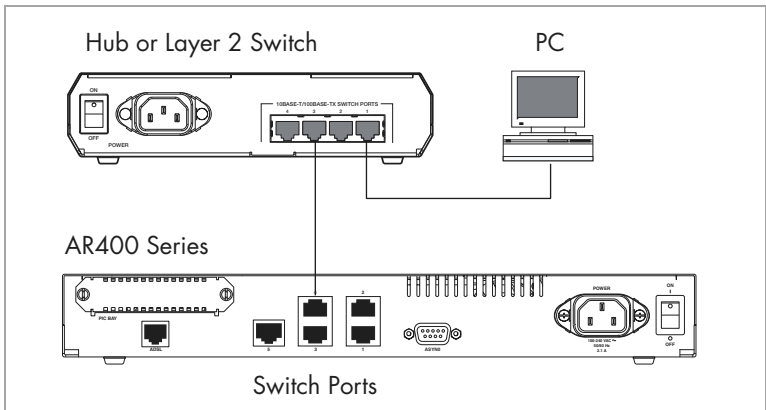
I. Connect the PC to a router switch port.

The PC can be connected directly, or through your LAN.

To connect the PC directly to the router, use a straight-through Ethernet cable to connect an Ethernet card on the PC to any one of the router's switch ports.



To connect via a LAN, use an Ethernet cable to connect the router's switch port(s) to the device(s) on the LAN. Select the LAN PC from which you wish to configure the router. The PC should be in the same subnet as the part of the LAN that contains the router (for example, the PC could be connected to a hub or Layer 2 switch that is directly connected to one of the router's switch ports).



2. Assign the PC an IP address in the same subnet as the router.

The router's default IP address is 192.168.1.1.

3. Browse to the GUI.

If you access the Internet through a proxy server, set your browser to bypass the proxy for 192.168.1.1. Point your web browser at 192.168.1.1.

4. Log in and set the password.

At the log in prompt, enter the log in name and password. Passwords are case sensitive.

User Name: **manager**

Password: **friend**

The system status page appears and you can now use the GUI to configure the router.

Important To ensure configuration settings are saved correctly, use the GUI menus and buttons to navigate, not your browser's buttons.



Caution As a security precaution, change the password as soon as possible. Remember the new password, as there is no way to retrieve it if it is lost.

To change the password, select Management > Users from the sidebar menu. Select the Manager account and click Modify.

5. Change the default IP address

Change the default IP address to match the addressing system on your LAN. Select Quick Start > LAN.



Caution Do not leave the management port IP address set to its default because this may constitute a serious security risk.

6. To access context-sensitive help in the GUI.

Click on the Help Button [Help]. The Help button is located at the top of the sidebar menu or on any popup page.

AR440S and AR441S Default Configuration

The default configuration file *boot.cfg* loads automatically when the router starts up. This file is stored in the router's flash memory.

Figure 1: Default configuration file for AR440S and AR441S routers

```
#Default configuration file boot.cfg

# Set the command help file. You may have a more recent help
# file.
set help=54-266A.HLP

# Enable IP and assign an IP address to the default VLAN.
enable ip
add ip interface=vlan1 ip=192.168.1.1

# Enable the DHCP server, configure a range and a 3 day
# lease policy, and assign the router as a DNS server.
enable dhcp
create dhcp policy=lan-dhcp lease=259200
add dhcp policy=lan-dhcp subnet=255.255.255.0
add dhcp policy=lan-dhcp router=192.168.1.1
add dhcp policy=lan-dhcp dnsserver=192.168.1.1
create dhcp range=standard policy=lan-dhcp
ip=192.168.1.100 number=50

# Enable DNS relay, so that DNS will work for DHCP clients.
enable ip dnsrelay
```

The *boot.cfg* file on the AR410, AR410S or AR450S routers contains no significant default configuration.

Connecting the Data Cables

Connecting the router to your network:

1. Connect to the LAN

If you have not already done so, use straight-through Ethernet patch cables to connect the device(s) on your private network (LAN) to the router's switch port(s). By default, all switch ports are members of VLAN1.

2. Connect to the DMZ port

AR440S, AR441S: If you have public servers to connect, connect them to switch ports in a different VLAN. For information about configuring VLANs, see the *Switching* chapter in the *Software Reference*.

AR450S: If you have a public server, use an Ethernet patch cable to connect it to the AR450S router's Ethernet DMZ (ETH1) port. Separating public servers from your LAN allows the firewall to provide greater protection for your LAN. If you have multiple public servers, you can connect them to a hub or Layer 2 switch and connect that device to the router's DMZ port.

3. Connect to the WAN.



Caution If you intend to use a firewall, configure it before you activate the WAN link.

Once initial configuration is complete, connect the router to the WAN:

- AR410S, AR410S, AR440S, AR441S: Connect a PIC port to a WAN connection. See the *Port Interface Card Quick Install Guide* and *Hardware Reference*.
- AR410, AR410S, AR450S: Use an Ethernet patch cable to connect the router's Ethernet WAN (ETH0) port to the Ethernet port of a WAN device (such as a modem).
- AR440S, AR441S: Using the ADSL cable, connect the ADSL port to an ADSL splitter that is connected to a digital subscriber line. To enable and configure ADSL, use the ADSL pages in the graphical user interface, or see the *ATM Over ADSL* chapter in the *Software Reference*.

System LEDs

LEDs indicate the router's operational status and port activity..

AR410, AR410S, AR450S LEDs

LED	State	Function
Power	Green	The router is receiving power and the power switch is ON.
System	Red or Amber	Lit briefly during router start up, or the router is malfunctioning.
	Flashing	The fan has failed.
	Off	Normal operation.
PIC (AR410, AR410S)	Green	A port interface card (PIC) is correctly installed and has been detected by the router.
	Off	No PIC is installed, or the router has not recognised the PIC.
Full Dup	Green	The port is operating at full-duplex.
	Off	The port is operating at half-duplex
Link/ACT	Green	A link has been established.
	Flashing	Data is being transmitted.
	Off	No link is present.
100M	Green	The port is operating at 100Mbps.
	Off	The port is operating at 10Mbps.

AR440S, AR441S LEDs

LED	State	Function
Power	Green	The router is receiving power and the power switch is ON.
System	Red or amber	Lit briefly during router start up, or the router is malfunctioning.
	Flashing	The fan has failed.
	Off	Normal operation.
PIC	Green	A port interface card (PIC) is correctly installed and has been detected by the router.
	Off	No PIC is installed, or the router has not recognised the PIC.
1 - 5 (switch ports)	Green	A 100 Mbps link has been established.
	Green flashing	Data is being transmitted at 100 Mbps.
	Orange	A 10 Mbps link has been established.
	Orange flashing	Data is being transmitted at 10 Mbps.
	Off	No link is present.
ADSL	Green	A link has been established. It is ready to send or receive data.
	Green flashing fast	Data is being transmitted or received.
	Green flashing slow (1 sec)	The ADSL port is in Loopback mode.
	Orange	The ADSL port is handshaking (looking for tones), or is physically disconnected.
	Orange flashing	The ADSL port is training.
	Green & orange alternate	There is a fault in the ADSL port.
	Off	The ADSL port is disabled.

Documentation and Tools CD-ROM

The Documentation and Tools CD-ROM bundled with each router contains the complete Document Set for your router. The CD-ROM also includes tools for managing your router.

The Document Set on the CD-ROM includes:

- This Quick Install Guide.
- The *AR400 Series User Guide*, which provides an introduction to the router and its operational features and characteristics.
- The *AR400 Series Router Hardware Reference*, which provides detailed information on the hardware features of AR400 Series routers.
- The *AR400 Series Router Software Reference*, which provides detailed information on configuring the router and its software.
- The *Port Interface Card Quick Install Guide*, which provides instructions for installing a Port Interface Card in your router.
- The *Port Interface Card Hardware Reference*, which provides detailed information on the hardware features of Port Interface Cards.
- AT-TFTP Server for Windows, for downloading software releases.
- Adobe Acrobat Reader, for viewing online documentation.

Updates of these documents can also be downloaded from the AR400 Series Router Support Site from [http:// www.alliedtelesyn.co.nz/support/ar400/](http://www.alliedtelesyn.co.nz/support/ar400/).

Emission Compliance Statements

STANDARDS: The AR410 and AR410S meet the following standards:

Category	Approval Agency and Requirement
Safety	UL60950 EN60950 AS/NZS 3260, ACA TS001
Electromagnetic Compliance	FCC CFR47 Part 15 Class A EN55022 Class A VCCI Class A AS/NZS CISPR22 Class A
Immunity	EN55024
Network Interface (where applicable)	ISDN Limited Network Protocol Analysis FCC Part 68, Subpart D IC CS-03, Issue 8, Part I and IV TBR3 TBR4

U.S. Federal Communications Commission

RADIATED ENERGY

Note: This equipment has been tested and found to comply with the limits for a Class A digital device pursuant to Part 15 of the FCC Rules. These limits are designed to provide reasonable protection against harmful interference when the equipment is operated in a commercial environment. This equipment generates, uses, and can radiate radio frequency energy and, if not installed and used in accordance with this instruction manual, may cause harmful interference to radio communications. Operation of this equipment in a residential area is likely to cause harmful interference in which case the user will be required to correct the interference at his own expense.

Note: Modifications or changes not expressly approved by the manufacturer or the FCC can void your right to operate this equipment.

Canadian Department of Communications

This Class A digital apparatus meets all requirements of the Canadian Interference-Causing Equipment Regulations.

Cet appareil numérique de la classe A respecte toutes les exigences du Règlement sur le matériel brouilleur du Canada.

STANDARDS: The AR440S and AR441S meet the following standards:

Category	Approval Agency and Requirement
Safety	UL60950-1 EN60950-1 AS/NZS 60950
Electromagnetic Compliance	FCC CFR47 Part 15 Class A EN55022 Class A VCCI Class A AS/NZS CISPR22 Class A
Immunity	EN55024
Network Interface (where applicable)	ISDN Limited Network Protocol Analysis FCC Part 68, Subpart D IC CS-03, Issue 8, Part I and IV TBR3 TBR4 TR048 TIA-968-A PTC 270 G.992.1 Annex A (AR440S only) G.992.1 Annex B (AR441S only)

U.S. Federal Communications Commission

RADIATED ENERGY

Note: This equipment has been tested and found to comply with the limits for a Class A digital device pursuant to Part 15 of the FCC Rules. These limits are designed to provide reasonable protection against harmful interference when the equipment is operated in a commercial environment. This equipment generates, uses, and can radiate radio frequency energy and, if not installed and used in accordance with this instruction manual, may cause harmful interference to radio communications. Operation of this equipment in a residential area is likely to cause harmful interference in which case the user will be required to correct the interference at his own expense.

Note: Modifications or changes not expressly approved by the manufacturer or the FCC can void your right to operate this equipment.

Canadian Department of Communications

This Class A digital apparatus meets all requirements of the Canadian Interference-Causing Equipment Regulations.

Cet appareil numérique de la classe A respecte toutes les exigences du Règlement sur le matériel brouilleur du Canada.

STANDARDS: The AR450S meets the following standards:

Category	Approval Agency and Requirement
Safety	UL60950 EN60950 AS/NZS 3260
Electromagnetic Compliance	FCC CFR47 Part 15 Class B EN55022 Class B VCCI Class B AS/NZS CISPR22 Class B
Immunity	EN55024

U.S. Federal Communications Commission

RADIATED ENERGY

Note: This equipment has been tested and found to comply with the limits for a Class B digital device, pursuant to part 15 of the FCC Rules. These limits are designed to provide reasonable protection against harmful interference in a residential installation. This equipment uses, generates and can radiate radio frequency energy and, if not installed and used in accordance with the instructions, may cause harmful interference to radio communications. However, there is no guarantee that interference will not occur in a particular installation. If this equipment does cause harmful interference to radio or television reception, which can be determined by turning the equipment off and on, the user is encouraged to try to correct the interference by one or more of the following measures:

- Reorient or relocate the receiving antenna.
- Increase separation between the equipment and the receiver.
- Connect equipment to an outlet on a circuit different from the receiver.
- Consult the dealer or an experienced radio/TV technician for help.

Note: Modifications or changes not expressly approved by the manufacturer or the FCC can void your right to operate this equipment.

Canadian Department of Communications

This Class B digital apparatus complies with Canadian ICES-003.
Cet appareil numérique de la Classe B est conforme à la norme NMB-003 du Canada.

Safety



WARNING: In a domestic environment this product may cause radio interference in which case the user may be required to take adequate measures.



ELECTRICAL NOTICES

WARNING: ELECTRIC SHOCK HAZARD

To prevent ELECTRIC shock, do not remove the cover. No user-serviceable parts inside. This unit contains HAZARDOUS VOLTAGES and should only be opened by a trained and qualified technician.



LIGHTNING DANGER

DANGER: DO NOT WORK on equipment or CABLES during periods of LIGHTNING ACTIVITY.



CAUTION: POWER CORD IS USED AS A DISCONNECTION DEVICE. TO DE-ENERGIZE EQUIPMENT, disconnect the power cord.



ELECTRICAL - TYPE CLASS I EQUIPMENT

THIS EQUIPMENT MUST BE EARTHED. Power plug must be connected to a properly wired earth ground socket outlet. An improperly wired socket outlet could place hazardous voltages on accessible metal parts.



PLUGGABLE EQUIPMENT, the socket outlet shall be installed near the equipment and shall be easily accessible.



CAUTION: Air vents must not be blocked and must have free access to the room ambient air for cooling.



OPERATING TEMPERATURE: AR410, AR410S, AR450S: This product is designed for a maximum ambient temperature of 40° degrees C.

AR440S, AR441S: This product is designed for a maximum ambient temperature of 50° degrees C.



ALL COUNTRIES: Install product in accordance with local and National Electrical Codes.



ELECTRICAL - AC MAINS CIRCUIT OVERLOADING

When installing product, consideration must be given to the accumulative nameplate ratings when connecting the equipment to the AC supply wiring.



Lithium Battery - Should only be changed by authorised service personnel.

CAUTION: Danger of explosion if battery incorrectly replaced. Replace only with Lithium Battery, type CR2032, and dispose of in accordance with the manufacturer's recommendations and all local codes.

Sicherheit



WARNUNG: Bei Verwendung zu Hause kann dieses Produkt Funkstörungen hervorrufen. In diesem Fall müßte der Anwender angemessene Gegenmaßnahmen ergreifen.



ACHTUNG: GEFÄHRLICHE SPANNUNG

Das Gehäuse nicht öffnen. Das Gerät enthält keine vom Benutzer wartbaren Teile. Das Gerät steht unter Hochspannung und darf nur von qualifiziertem technischem Personal geöffnet werden.



GEFAHR DURCH BLITZSCHLAG

GEFAHR: Keine Arbeiten am Gerät oder an den Kabeln während eines Gewitters ausführen.



VORSICHT: DAS NETZKABEL DIENT ZUM TRENNEN DER STROMVERSORGUNG. ZUR TRENNUNG VOM NETZ, KABEL AUS DER STECKDOSE ZIEHEN.



GERÄTE DER KLASSE I

DIESE GERÄTE MÜSSEN GEERDET SEIN. Der Netzstecker darf nur mit einer vorschriftsmäßig geerdeten Steckdose verbunden werden. Ein unvorschriftsmäßiger Anschluß kann die Metallteile des Gehäuses unter gefährliche elektrische Spannungen setzen.



STECKBARES GERÄT: Die Anschlußbuchse sollte in der Nähe der Einrichtung angebracht werden und leicht zugänglich sein.

VORSICHT

Die Entlüftungsöffnungen dürfen nicht versperrt sein und müssen zum Kühlen freien Zugang zur Raumluft haben.



BETRIEBSTEMPERATUR: AR410, AR410S, AR450S: Dieses Produkt wurde für den Betrieb in einer Umgebungstemperatur von nicht mehr als 40° C entworfen. AR440S, AR441S: Dieses Produkt wurde für den Betrieb in einer Umgebungstemperatur von nicht mehr als 50° C entworfen.



ALLE LÄNDER: Installation muß örtlichen und nationalen elektrischen Vorschriften entsprechen.



NETZSICHERUNG

Bei der Installation muß der auf dem Typenschild angezeigte Nennwert des Gerätes für den Anschluß an das Netz beachtet werden.



Lithium-Batterie - Sollte nur von einem geschulten qualifizierten Techniker ausgetauscht werden.

VORSICHT: Explosionsgefahr bei unsachgemäßem Austausch der Batterie. Nur mit einer gleichen Batterie oder einem gleichwertigen Batterietyp nach Empfehlung des Herstellers ersetzen. Gebrauchte Batterien nach Anweisungen des Herstellers beseitigen.

Sikkerhed



ADVARSEL: I et hjemligt miljø kunne dette produkt forårsage radio forstyrrelse. Bliver det tilfældet, påkræves brugeren muligvis at tage tilstrækkelige foranstaltninger.



ELEKTRISKE FORHOLDSREGLER

ADVARSEL: RISIKO FOR ELEKTRISK STØD

For at forebygge ELEKTRISK stød, undlad at åbne apparatet. Der er ingen indre dele, der kan repareres af brugeren. Denne enhed indeholder LIVSFARLIGE STRØMSPÆNDINGER og bør kun åbnes af en uddannet og kvalificeret tekniker.



FARE UNDER UVEJR

FARE: UNDLAD at arbejde på udstyr eller KABLER i perioder med LYNAKTIVITET.



ADVARSEL: DEN STRØMFØRENDE LEDNING BRUGES TIL AT AFBRYDE STRØMMEN. SKAL STRØMMEN TIL APPARATET AFBRYDES, tages ledningen ud af stikket.



ELEKTRISK - KLASSE I-UDSTYR

DETTE UDSTYR KRÆVER JORDFORBINDELSE. Stikket skal være forbundet med en korrekt installeret jordforbunden stikkontakt. En ukorrekt installeret stikkontakt kan sætte livsfarlig spænding til tilgængelige metaldele.



UDSTYR TIL STIKKONTAKT, stikkontakten bør installeres nær ved udstyret og skal være lettilgængelig.



ADVARSEL: Ventilationsåbninger må ikke blokeres og skal have fri adgang til den omgivende luft i rummet for afkøling.



BETJENINGSTEMPERATUR: AR410, AR410S, AR450S: Dette apparat er konstrueret til en omgivende temperatur på maksimum 40 grader C. AR440S, AR441S: Dette apparat er konstrueret til en omgivende temperatur på maksimum 50 grader C.



ALLE LANDE: Installation af produktet skal ske i overensstemmelse med lokal og national lovgivning for elektriske installationer.



ELEKTRISK-OVERBELASTNING AF SPÆNDINGSKREDSLØBET

Ved installation af produktet, bør der tages hensyn til den kumulative kapacitet der angives på navneskiltet, når udstyret forbindes med vekselstrømsledningen.



Lithium batteri - Bør kun udskiftes af uddannet og kvalificeret tekniker.

ADVARSEL : Eksplosionsfare, hvis batteriet udskiftes ukorrekt. Udskift kun med samme eller en tilsvarende type der anbefales af producenten. Kassér brugte batterier i overensstemmelse med producentens instruktioner.

Veiligheid



WAARSCHUWING: Binnenshuis kan dit product radiostoring veroorzaken, in welk geval de gebruiker verplicht kan worden om gepaste maatregelen te nemen.



WAARSCHUWINGEN MET BETREKKING TOT ELEKTRICITEIT
WAARSCHUWING: GEVAAR VOOR ELEKTRISCHE SCHOKKEN

Verwijder het deksel niet, teneinde ELEKTRISCHE schokken te voorkomen. Binnenin bevinden zich geen onderdelen die door de gebruiker onderhouden kunnen worden. Dit toestel staat onder GEVAARLIJKE SPANNING en mag alleen worden geopend door een daartoe opgeleide en bevoegde technicus.



GEVAAR VOOR BLIKSEMINSLAG

GEVAAR: NIET aan toestellen of KABELS WERKEN bij BLIKSEM.



WAARSCHUWING: HET TOESTEL WORDT UITGESCHAKELD DOOR DE STROOMKABEL TE ONTKOPPELEN. OM HET TOESTEL STROOMLOOS TE MAKEN: de stroomkabel ontkoppelen.



ELEKTRISCHE TOESTELLEN VAN KLASSE I

DIT TOESTEL MOET GEAARD WORDEN. De stekker moet aangesloten zijn op een juist gearde contactdoos. Een onjuist gearde contactdoos kan de metalen onderdelen waarmee de gebruiker eventueel in aanraking komt onder gevaarlijke spanning stellen.



AAN TE SLUITEN APPARATUUR, de contactdoos wordt in de nabijheid van de apparatuur geïnstalleerd en is gemakkelijk te bereiken.



OPGELET: De ventilatiegaten mogen niet worden gesperd en moeten de omgevingslucht ongehinderd toelaten voor afkoeling.



BEDRIJFSTEMPERATUUR: AR410, AR410S, AR450S: De omgevingstemperatuur voor dit produkt mag niet meer bedragen dan 40 graden Celsius. AR440S, AR441S: De omgevingstemperatuur voor dit produkt mag niet meer bedragen dan 50 graden Celsius.



ALLE LANDEN: het toestel installeren overeenkomstig de lokale en nationale elektrische voorschriften.



ELEKTRISCH: OVERBELASTING VAN WISSELSTROOM HOOFDCIRCUIT

Tijdens de installatie van het produkt dient men rekening te houden met de gecombineerde waarden op de naamplaatjes bij het aansluiten van het toestel op de wisselstroom-voedingsdraden.



Lithium batterij. Mag alleen worden vervangen door een daartoe opgeleide en bevoegde technicus.

OPGELET: Gevaar voor ontploffing indien de batterij verkeerd wordt vergangen. Alleen vervangen door hetzelfde of een gelijkwaardig, door de fabrikant aanbevolen type.

Sécurité



MISE EN GARDE : dans un environnement domestique, ce produit peut provoquer des interférences radioélectriques. Auquel cas, l'utilisateur devra prendre les mesures adéquates.



INFORMATION SUR LES RISQUES ÉLECTRIQUES

AVERTISSEMENT: DANGER D'ÉLECTROCUTION

Pour éviter toute ÉLECTROCUTION, ne pas ôter le revêtement protecteur du matériel. Ce matériel ne contient aucun élément réparable par l'utilisateur. Il comprend des TENSIONS DANGEREUSES et ne doit être ouvert que par un technicien dûment qualifié.



DANGER DE Foudre

DANGER: NE PAS MANIER le matériel ou les CÂBLES lors d'activité orageuse.



ATTENTION: LE CORDON D'ALIMENTATION SERT DE MISE HORS CIRCUIT. POUR COUPER L'ALIMENTATION DU MATÉRIEL, débrancher le cordon.



ÉQUIPEMENT DE CLASSE I ÉLECTRIQUE

CE MATÉRIEL DOIT ÊTRE MIS A LA TERRE. La prise de courant doit être branchée dans une prise femelle correctement mise à la terre car des tensions dangereuses risqueraient d'atteindre les pièces métalliques accessibles à l'utilisateur.



EQUIPEMENT POUR BRANCHEMENT ELECTRIQUE, la prise de sortie doit être placée près de l'équipement et facilement accessible”.



ATTENTION: Ne pas bloquer les fentes d'aération, ceci empêcherait l'air ambiant de circuler librement pour le refroidissement.



TEMPÉRATURE DE FONCTIONNEMENT: AR410, AR410S, AR450S: Ce matériel est capable de tolérer une température ambiante maximum de ou 40 degrés Celsius.

AR440S, AR441S: Ce matériel est capable de tolérer une température ambiante maximum de ou 50 degrés Celsius.



POUR TOUS PAYS: Installer le matériel conformément aux normes électriques nationales et locales.



SURCHARGE DES CIRCUITS PRINCIPAUX DE COURANT ALTERNATIF ÉLECTRIQUE

Lors de l'installation du matériel, il faut prendre en compte la somme des puissances indiquées sur les étiquettes au moment de connecter le matériel à une source de courant alternatif.



Pile en Lithium-Doit uniquement être remplacée par un technicien dûment qualifié

ATTENTION : Un danger d'explosion existe en cas de remplacement incorrect de la pile. Remplacer uniquement avec une pile du même type ou d'un type recommandé par le fabricant. Mettre au rebut les piles usagées conformément aux instructions du fabricant).

Turvallisuus



VAROITUS: Kotiolosuhteissa tämä laite voi aiheuttaa radioaaltojen häiröitä, missä tapauksessa laitteen käyttäjän on mahdollisesti ryhdyttävä tarpeellisiin toimenpiteisiin.



SÄHKÖÖN LIITTYVIÄ HUOMAUTUKSIA

VAROITUS: SÄHKÖISKUVAARA

Estääksesi SÄHKÖISKUN älä poista kantta. Sisällä ei ole käyttäjän huollettavissa olevia osia. Tämä laite sisältää VAARALLISIA JÄNNITTEITÄ ja sen voi avata vain koulutettu ja pätevä teknikko.



SALAMANISKUVAARA

HENGENVAARA: ÄLÄ TYÖSKENTELE laitteiden tai KAAPELEIDEN KANSSA SALAMOINNIN AIKANA.



HUOMAUTUS: VIRTAJOHTOA KÄYTETÄÄN VIRRANKATKAISULAITTEENA. VIRTA KATKAISTAAN irrottamalla virtajohto.



SÄHKÖ - TYYPPILUOKAN I LAITTEET

TÄMÄ LAITE TÄYTYY MAADOITTA. Pistoke täytyy liittää kunnollisesti maadoitettuun pistorasiaan. Virheellisesti johdotettu pistorasia voi altistaa metalliosat vaarallisille jännitteille.



PISTORASIAAN KYTKETTÄVÄ LAITE; pistorasia on asennettava laitteen lähelle ja siihen on oltava esteetön pääsy.



HUOMAUTUS: Ilmavaihtoreikiä ei pidä tukkia ja niillä täytyy olla vapaa yhteys ympäröivään huoneilmaan, jotta ilmanvaihto tapahtuisi.



KÄYTTÖLÄMPÖTILA: AR410, AR410S, AR450S: Tämä tuote on suunniteltu ympäröivän ilman maksimilämpötilalle 40°C.

AR440S, AR441S: Tämä tuote on suunniteltu ympäröivän ilman maksimilämpötilalle 50°C.



KAIKKI MAAT: Asenna tuote paikallisten ja kansallisten sähköturvallisuusmääräysten mukaisesti.



SÄHKÖ-VAIHTORVIRTASÄHKÖPIIRIN YLIKUORMITUS

Tuotetta asennettaessa on otettava huomioon osien nimikilvissä osoitettu teho silloin kun osat liitetetään vaihtovirtaverkkoon.



Litiumparisto - Vaihdon voi suorittaa vain koulutettu ja pätevä teknikko.

Varoitus: Räjähdyksivaara, jos paristo on vaihdettu väärin. Vaihda vain samaan tai vastaavaan tyyppiin, jota valmistaja suosittelee. Hävitä käytetyt paristot valmistajan ohjeiden mukaan.

Norme di Sicurezza



AVVERTENZA: in ambiente domestico questo prodotto potrebbe causare radio interferenza. In questo caso potrebbe richiedersi all'utente di prendere gli adeguati provvedimenti.



AVVERTENZE ELETTRICHE

ATTENZIONE: PERICOLO DI SCOSSE ELETTRICHE

Per evitare SCOSSE ELETTRICHE non asportare il coperchio. Le componenti interne non sono riparabili dall'utente. Questa unità ha TENSIONI PERICOLOSE e va aperta solamente da un tecnico specializzato e qualificato.



PERICOLO DI FULMINI

PERICOLO: NON LAVORARE sul dispositivo o sui CAVI durante PRECIPITAZIONI TEMPORALESCHIE.



ATTENZIONE: IL CAVO DI ALIMENTAZIONE È USATO COME DISPOSITIVO DI DISATTIVAZIONE. PER TOGLIERE LA CORRENTE AL DISPOSITIVO staccare il cavo di alimentazione.



ELETTRICITÀ - DISPOSITIVI DI CLASSE I

QUESTO DISPOSITIVO DEVE AVERE LA MESSA A TERRA. La spina deve essere inserita in una presa di corrente specificamente dotata di messa a terra. Una presa non cablata in maniera corretta rischia di scaricare una tensione pericolosa su parti metalliche accessibili.



APPARECCHIATURA COLLEGABILE, la presa va installata vicino all'apparecchio per risultare facilmente accessibile.



ATTENZIONE: le prese d'aria non vanno ostruite e devono consentire il libero ricircolo dell'aria ambiente per il raffreddamento.



TEMPERATURA DI FUNZIONAMENTO: AR410, AR410S, AR450S: Questo prodotto è concepito per una temperatura ambientale massima di 40 gradi centigradi. AR440S, AR441S: Questo prodotto è concepito per una temperatura ambientale massima di 50 gradi centigradi.



TUTTI I PAESI: installare il prodotto in conformità delle vigenti normative elettriche nazionali.



ELETTRICITÀ - SOVRACCARICO DEL CIRCUITO DI RETE A C.A.

Durante l'installazione ed il collegamento del dispositivo alla rete di alimentazione a corrente alternata, è necessario tenere in considerazione le capacità cumulative riportate sulla targhetta.



Batteria al litio - Va sostituita solo da un tecnico specializzato e qualificato.

ATTENZIONE: l'errata sostituzione della batteria può causare pericolo di esplosioni. Sostituire solamente con lo stesso tipo o con uno equivalente raccomandato dal produttore. Eliminare le batterie usate secondo le istruzioni del produttore.

Sikkerhet



ADVARSEL: Hvis dette produktet benyttes til privat bruk, kan produktet forårsake radioforstyrrelse. Hvis dette skjer, må brukeren ta de nødvendige forholdsregler.



ELEKTRISITET

ADVARSEL: FARE FOR ELEKTRISK SJOKK

For å unngå ELEKTRISK sjokk, må dekslet ikke tas av. Det finnes ingen deler som brukeren kan reparere på innsiden. Denne enheten inneholder FARLIGE SPENNINGER, og må kun åpnes av en faglig kvalifisert tekniker.



FARE FOR LYNNEDSLAG

FARE: ARBEID IKKE på utstyr eller KABLER i TORDENVÆR.



FORSIKTIG: STRØMLEDNINGEN BRUKES TIL Å FRAKOBLE UTSTYRET. FOR Å DEAKTIVISERE UTSTYRET, må strømforsyningen kobles fra.



ELEKTRISK - TYPE I- KLASSE UTSTYR

DETTE UTSTYRET MÅ JORDES. Strømkontakten må være tilkopleet en korrekt jordet kontakt. En kontakt som ikke er korrekt jordet kan føre til farlig spenninger i lett tilgjengelige metalldeleer.



UTSTYR FOR STIKKONTAKT. Stikkontakten skal monteres i nærheten av utstyret og skal være lett tilgjengelig.



FORSIKTIG: Lufteventilene må ikke blokkeres, og må ha fri tilgang til luft med romtemperatur for avkjøling.



DRIFTSTEMPERATUR: AR410, AR410S, AR450S: Dette produktet er konstruert for bruk i maksimum romtemperatur på 40 grader celsius. AR440S, AR441S: Dette produktet er konstruert for bruk i maksimum romtemperatur på 50 grader celsius.



ALLE LAND: Produktet må installeres i samsvar med de lokale og nasjonale elektriske koder.



ELEKTRISK OVERBELASTNING PÅ AC HOVEDKRETSLØP

Når produktet installeres, må de samlede navneplateverdiene kontrolleres nøye når strøm påsettes.



Litiumbatteri — Må kun byttes ut av en faglig kvalifisert tekniker.

FORSIKTIG: Eksplosjonsfare hvis batteriet feilinnsettes. Batteriet må bare erstattes med samme type eller en tilsvarende type som er anbefalt av fabrikanten. Batteriene må kasseres i samsvar med fabrikantens instruksjoner.

Segurança



AVISO: Num ambiente doméstico este produto pode causar interferência na radiorrecepção e, neste caso, pode ser necessário que o utente tome as medidas adequadas.



AVISOS SOBRE CARACTERÍSTICAS ELÉTRICAS

ATENÇÃO: PERIGO DE CHOQUE ELÉTRICO

Para evitar CHOQUE ELÉTRICO, não retire a tampa. Não contém peças que possam ser consertadas pelo usuário. Este aparelho contém VOLTAGENS PERIGOSAS e só deve ser aberto por um técnico qualificado e treinado.



PERIGO DE CHOQUE CAUSADO POR RAI0

PERIGO: NÃO TRABALHE no equipamento ou nos CABOS durante períodos suscetíveis a QUEDAS DE RAI0.



CUIDADO: O CABO DE ALIMENTAÇÃO É UTILIZADO COMO UM DISPOSITIVO DE DESCONEXÃO. PARA DESELETRIFICAR O EQUIPAMENTO, desconecte o cabo de ALIMENTAÇÃO.



ELÉTRICO - EQUIPAMENTOS DO TIPO CLASSE I DEVE SER FEITA LIGAÇÃO DE FIO TERRA PARA ESTE EQUIPAMENTO. O plugue de alimentação deve ser conectado a uma tomada com adequada ligação de fio terra. Tomadas sem adequada ligação de fio terra podem transmitir voltagens perigosas a peças metálicas expostas.



EQUIPAMENTO DE LIGAÇÃO, a tomada eléctrica deve estar instalada perto do equipamento e ser de fácil acesso.”



CUIDADO: As aberturas de ventilação não devem ser bloqueadas e devem ter acesso livre ao ar ambiente para arrefecimento adequado do aparelho.



TEMPERATURA DE FUNCIONAMENTO: AR410, AR410S, AR450S: Este produto foi projetado para uma temperatura ambiente máxima de 40 graus centígrados. AR440S, AR441S: Este produto foi projetado para uma temperatura ambiente máxima de 50 graus centígrados.



TODOS OS PAÍSES: Instale o produto de acordo com as normas nacionais e locais para instalações eléctricas.



ELÉTRICO - SOBRECARGA DA REDE DE CORRENTE ALTERNADA (AC) Antes de instalar o produto, verifique o efeito cumulativo da conexão de diversos aparelhos à rede de corrente alternada através das etiquetas que indicam potência ou amperagem.



Bateria de lítio - Só deve ser trocada por técnico qualificado e treinado.
CUIDADO: Se a bateria não for devidamente instalada há perigo de explosão. Substitua somente pelo mesmo tipo ou equivalente, conforme recomendado pelo fabricante. Descarte baterias usadas, de acordo com as instruções fornecidas pelo fabricante.

Seguridad



ADVERTENCIA: en un entorno doméstico, este producto puede causar radiointerferencias, en cuyo caso, puede requerirse del usuario que tome las medidas que sean convenientes al respecto.



AVISOS ELECTRICOS

ADVERTENCIA: PELIGRO DE ELECTROCHOQUE

Para evitar un ELECTROCHOQUE, no quite la tapa. No hay ningún componente en el interior al cual puede prestar servicio el usuario. Esta unidad contiene VOLTAJES PELIGROSOS y sólo deberá abrirla un técnico entrenado y calificado.



PELIGRO DE RAYOS

PELIGRO: NO REALICE NINGUN TIPO DE TRABAJO O CONEXION en los equipos o en LOS CABLES durante TORMENTAS ELECTRICAS.



ATENCION: EL CABLE DE ALIMENTACION SE USA COMO UN DISPOSITIVO DE DESCONEXION. PARA DESACTIVAR EL EQUIPO, desconecte el cable de alimentación.



ELECTRICO - EQUIPO DEL TIPO CLASE I

ESTE EQUIPO TIENE QUE TENER CONEXION A TIERRA. El cable tiene que conectarse a un enchufe a tierra debidamente instalado. Un enchufe que no está correctamente instalado podría ocasionar tensiones peligrosas en las partes metálicas que están expuestas.



EQUIPO CONECTABLE, el tomacorriente se debe instalar cerca del equipo, en un lugar con acceso fácil”.



ATENCION: Las aberturas para ventilación no deberán bloquearse y deberán tener acceso libre al aire ambiental de la sala para su enfriamiento.



TEMPERATURA REQUERIDA PARA LA OPERACIÓN:

AR410, AR410S, AR450S: Este producto está diseñado para una temperatura ambiental máxima de 40 grados C.

AR440S, AR441S: Este producto está diseñado para una temperatura ambiental máxima de 50 grados C.



PARA TODOS LOS PAÍSES: Monte el producto de acuerdo con los Códigos Eléctricos locales y nacionales.



ELECTRICO - SOBRECARGA DEL CIRCUITO PRIMARIO DE CORRIENTE ALTERNA

Al instalarse el producto deberán considerarse las potencias nominales acumulativas, cuando se conecta el equipo al cable de alimentación de corriente alterna.



Batería de litio - Sólo deberá ser cambiada por un técnico entrenado y calificado.

ATENCION: Peligro de explosión si la batería no se reemplaza en forma correcta. Reemplace sólo con el mismo tipo o equivalente que recomienda el fabricante. Deseche las baterías usadas según las instrucciones del fabricante.

Säkerhet



VARNING: Denna produkt kan ge upphov till radiostörningar i hemmet, vilket kan tvinga användaren till att vidtaga erforderliga åtgärder.



TILLKÄNNAGIVANDEN BETRÄFFANDE ELEKTRICITETSRIK:
RISK FÖR ELEKTRISK STÖTFör att undvika ELEKTRISK stöt, ta ej av locket. Det finns inga delar inuti som behöver underhållas. Denna apparat är under HÖGSPÄNNING och får endast öppnas av en utbildad kvalificerad tekniker.



FARA FÖR BLIXTNEDSLAG

FARA: ARBETA EJ på utrustningen eller kablarna vid ÅSKVÄDER.



VARNING: NÄTKABELN ANVÄNDS SOM STRÖMBRYTARE FÖR ATT KOPPLA FRÅN STRÖMMEN, dra ur nätkabeln.



ELEKTRISKT - TYP KLASS I UTRUSTNING

DENNA UTRUSTNING MÅSTE VARA JORDAD. Nätkabeln måste vara ansluten till ett ordentligt jordat uttag. Ett felaktigt uttag kan göra att närliggande metalldelar utsätts för högspänning. Apparaten skall anslutas till jordat uttag, när den ansluts till ett nätverk.



UTRUSTNING MED PLUGG. Uttaget skall installeras i utrustningens närhet och vara lättåtkomligt”.



VARNING: Luftventilerna får ej blockeras och måste ha fri tillgång till omgivande rumsluft för avsvälvning.



DRIFTSTEMPERATUR: AR410, AR410S, AR450S: Denna produkt är konstruerad för rumstemperatur ej överstigande 40 grader Celsius.
AR440S, AR441S: Denna produkt är konstruerad för rumstemperatur ej överstigande 50 grader Celsius.



ALLA LÄNDER: Installera produkten i enlighet med lokala och statliga bestämmelser för elektrisk utrustning.



ELEKTRISKT - ÖVERBELASTNING AV VÄXELSTRÖMSNÄTET: När produkten installeras bör den sammanlagda effekten på namnplåten beaktas när apparaten ansluts till växelströmsnätet.



Litium batteri - Får endast bytas av utbildade och kvalificerade tekniker.

VARNING: Risk för explosion om felaktigt batteri används. Byt endast mot samma eller likvärdig typ batteri, rekommenderat av tillverkaren. Kassera använda batterier i enlighet med tillverkarens instruktioner.

Connection to mains voltage supply

This product is supplied with a power cord that incorporates a moulded plug and has been approved for use. It must only be used with the power cord supplied.

For continued protection against the risk of fire and shock hazard, replace fuses only with the same type and rating.

Telecommunications Interfaces



Warning To reduce risk of fire use only No.26 awg or larger telecommunications line cord if the cord supplied is not used with the apparatus.

Important Safety Instructions

When using your telephone equipment, basic safety precautions should always be followed to reduce the risk of fire, electric shock and injury to persons, including the following:

1. Do not use this product near water, for example near a bathtub, washbowl, kitchen sink, or laundry tub in a wet basement or near a swimming pool.
2. Avoid using a telephone (other than a cordless type) during an electrical storm. There may be remote risk of electric shock from lightning.
3. Do not use the telephone to report a gas leak in the vicinity of the leak.
4. Use only the power cord and batteries indicated in this manual. Do not dispose of batteries in a fire. They may explode. Check with local codes for possible special disposal instructions.
5. Remove the telephone cord from the unit prior to making changes to the expansion port.

Save these instructions

Connection to ISDN network

This product is supplied with an approved patch cord for connection to the ISDN Basic Rate Network.

Ports for the connection of other apparatus

The following interfaces normally operate at SELV (Safe Extra Low Voltage) levels:

- Asynchronous (console) ports
- Ethernet ports
- G703 ports
- Synchronous ports

Note SELV is a secondary circuit whose voltages do not exceed a safe value under normal operating conditions and under single fault conditions. Under normal operating conditions the voltages do not exceed 42.4V peak a.c. or 60V d.c.

TNVI

The following interfaces are Telecommunications Network Voltage (TNVI) circuits, which operate normally within the limits of SELV:

- BRI ports for connection to ISDN Basic Rate telecommunications networks
- PRI ports for connection to ISDN Primary Rate telecommunications networks
- E1/T1 ports for connection to E1/T1 services

Note A TNVI circuit is a circuit which under normal operating conditions does not exceed the limits for SELV and on which overvoltages from telecommunication networks are possible.

TNV3

The following interfaces are Telecommunications Network Voltage (TNV3) circuits, which operate normally in excess of the limits of SELV:

- xDSL ports for connection to xDSL services

Note A TNV3 circuit is a circuit which under normal operating conditions exceed the limits for SELV and on which overvoltages from telecommunication networks are possible.

US Federal Communications Commission (FCC)

This equipment complies with Part 68 of the Federal Communications Commission (FCC) rules for the United States.

A label is located on the underside of the base unit containing the FCC registration number. You must, upon request, provide the following information to your local telephone company:

For the AR021U PIC

Facility Interface Code	021S5
Service Order Code	6.0Y The AR021U PIC has completed the ISDN Ordering Codes Translation Review and is registered for IOC S and EZ-ISDN I.
USOC Jack Type	RJ49C

For the AR440S router

Facility Interface Code	02LS2
Service Order Code	7.0Y
USOC Jack Type	RJ11C

Should you experience trouble with this telephone equipment, please contact:
 ALLIED TELESYN INTERNATIONAL
 19800 NORTH CREEK PARKWAY #200
 BOTHELL
 WASHINGTON 98011
 TEL: 425 487 8880
 FAX: 425 489 9191

If trouble is experienced with this equipment (AR021U PIC, AR440S), for repair or warranty information, please contact the above. If the equipment is causing harm to the telephone network, the telephone company may request that you disconnect the equipment until the problem is resolved.

This equipment cannot be used on public coin phone service provided by the telephone company. Connection to party line service is subject to state tariffs.

Your telephone company may discontinue your service if your equipment causes harm to the telephone network. They will notify you in advance of disconnection, if possible. During notification, you will be informed of your right to file a complaint to the FCC.

Occasionally, your telephone company may make changes in its facilities, equipment, operation, or procedures that could affect the operation of your equipment. If so, you will be given advance notice of the change to give you an opportunity to maintain uninterrupted service.

Canadian Department of Communications

The Industry Canada label identifies certified equipment. This certification means that the equipment meets telecommunications network protective, operational and safety requirements as prescribed in the appropriate Terminal Equipment Technical Requirements document(s). The Department does not guarantee the equipment will operate to the user's satisfaction.

Before installing this equipment, users should ensure that it is permissible to be connected to the facilities of the local telecommunications company. The equipment must also be installed using an acceptable method of connection. The customer should be aware that compliance with the above conditions may not prevent degradation of service in some situations.

Repairs to certified equipment should be coordinated by a representative designated by the supplier. Any repairs or alterations made by the user to this equipment, or equipment malfunctions, may give the telecommunications company cause to request the user to disconnect the equipment.

Users should ensure for their own protection that the electrical ground connections of the power utility, telephone lines and internal metallic water pipe system, if present, are connected together. This precaution may be particularly important in rural areas.



Warning Users should not attempt to make such connections themselves, but should contact the appropriate electric inspection authority, or electrician, as appropriate.

This digital apparatus does not exceed the limits for radio noise emissions from digital apparatus as set out in the Radio Interface Regulations of the Canadian Department of Communications.

Le présent appareil numérique n'émet pas de bruits radioélectriques dépassant les limites applicables aux appareils numériques prescrites dans le Règlement sur le brouillage radioélectrique édicté par le ministère des Communications du Canada.

EC Declaration of Conformity

We: **ALLIED TELESYN RESEARCH LIMITED**
27 NAZARETH AVENUE
CHRISTCHURCH 8002
NEW ZEALAND

Declare under our sole legal responsibility that the following product meets the safety, protection and conformity requirements of council directives 1999/5/EC, 89/336/EEC and 73/23/EEC (as amended by directive 93/68/EEC) on the approximation of the laws of member states relating to electromagnetic compatibility, electrical safety and the mutual recognition of conformity of telecommunications terminal equipment

AR400 SERIES ROUTERS

to which this declaration relates are in conformity with the following relevant harmonized standards, the reference numbers of which have been published in the Official journal of the European community.

EN55022: 1998	Information Technology Equipment—Radio disturbance
EN55024: 1998	Information Technology Equipment—Immunity characteristics—Limits and methods of measurement.
EN60950: 2000	AR410, AR410S, AR450S: Safety of Information Technology Equipment, including electrical business equipment.
EN60950-1: 2001	AR440S, AR441S: Information Technology Equipment including electrical business equipment—General Requirements.

Name: Craig Thornton
On behalf of the Manufacturer

Position: Engineering Manager

Signature:

Date: 23 July 2004

