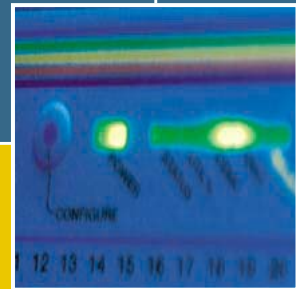
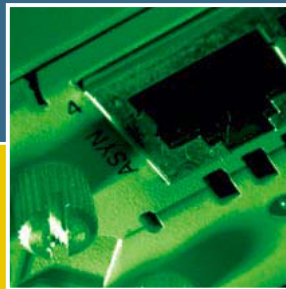
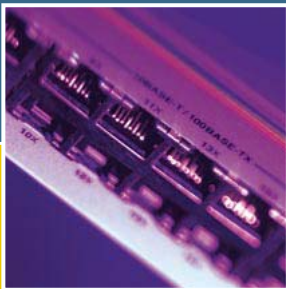
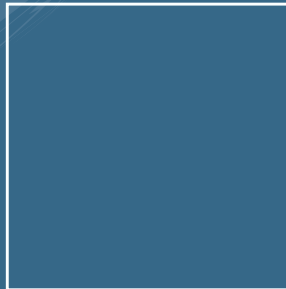


AR400 SERIES ROUTER

QUICK INSTALL GUIDE



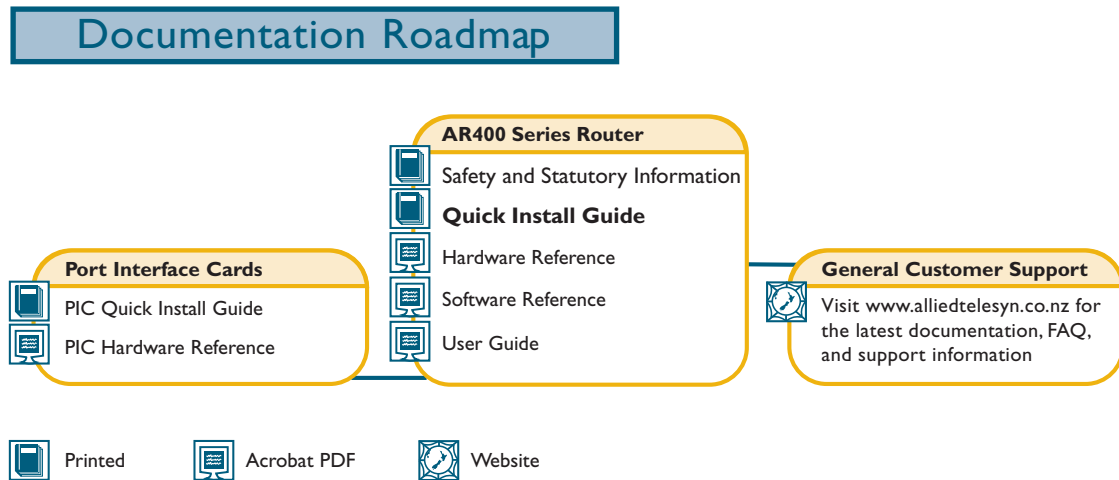
AR400 Series Router Quick Install Guide
Document Number C613-04032-01 REV C.

Copyright © 2001-2002 Allied Telesyn International, Corp.
19800 North Creek Parkway, Suite 200, Bothell, WA 98011, USA.

All rights reserved. No part of this publication may be reproduced without prior written permission from Allied Telesyn.

Allied Telesyn International, Corp. reserves the right to make changes in specifications and other information contained in this document without prior written notice. The information provided herein is subject to change without notice. In no event shall Allied Telesyn be liable for any incidental, special, indirect, or consequential damages whatsoever, including but not limited to lost profits, arising out of or related to this manual or the information contained herein, even if Allied Telesyn has been advised of, known, or should have known, the possibility of such damages.

All trademarks are the property of their respective owners.



Models Covered By This Guide

This Quick Install Guide includes information on the following models:

- AR410
- AR410S

Quick Install Guide updates can be found at www.alliedtelesyn.co.nz/support/ar400/.

Package Contents

The following items are included with each AR400 Series router. Contact your sales representative if any items are damaged or missing.

- One AR400 Series router.
- One AC power cord.
- One power cord retaining clip.
- One terminal cable for connecting the router to a terminal or PC.
- Two UTP network cables.
- One rack-mount kit with brackets and screws.
- One *AR400 Series Router Quick Install Guide*.
- One *Safety and Statutory Information* booklet.
- One AR400 Series Router Documentation and Tools CD-ROM (which includes the complete AR400 Series Document Set and utilities).
- One warranty card.

Selecting a Site

The router should be installed on a level surface such as a desktop or bench. When installing the router, choose a site that:

- Allows adequate airflow around the router and its vents.
- Is free of dust and moisture.
- Will allow the router to operate within a temperature range of 0 to 40° C (32 to 104° F) and a humidity range of 5 to 95% non-condensing.
- Has a reliable and earthed (grounded), preferably dedicated and filtered power supply circuit.
- Does not expose cabling to sources of electrical noise, such as radios, transmitters, broadband amplifiers, power lines, electric motors, and fluorescent fixtures.
- Allows easy access to the router's power and cable connections.

Installing the Router



This equipment must be earthed.

Follow these steps to install the router:

1. Read the safety information.

For safety information, see the *Safety and Statutory Information booklet*. A copy of this booklet is supplied with each router, and can also be found on the Documentation and Tools CD-ROM or at www.alliedtelesyn.co.nz/support/ar400.

2. Gather additional items you will need.

If also installing an optional Port Interface Card (PIC), you will need a *PIC Quick Install guide*.

3. Unpack the router.

Verify the package contents. If any items are damaged or missing, contact your sales representative.

4. Place the router in its operating location.

See the previous Selecting a Site section for guidelines on choosing a suitable location.

5. Install expansion options.

If you purchased an optional PIC, install it now by following the *PIC Quick Install Guide*. That guide can be found on the Documentation and Tools CD-ROM or can be downloaded from www.alliedtelesyn.co.nz/support/ar400/.

6. Check the supply voltage and the router's rated voltage.

AR400 Series routers are fitted with a universal mains power supply that will function over the range 100-240 VAC and 50–60Hz.



The specific power supply requirements for a particular model are clearly displayed on the rear or underside of the router. If the supply is outside the accepted range for the router, the router may not operate and damage to the router may result.

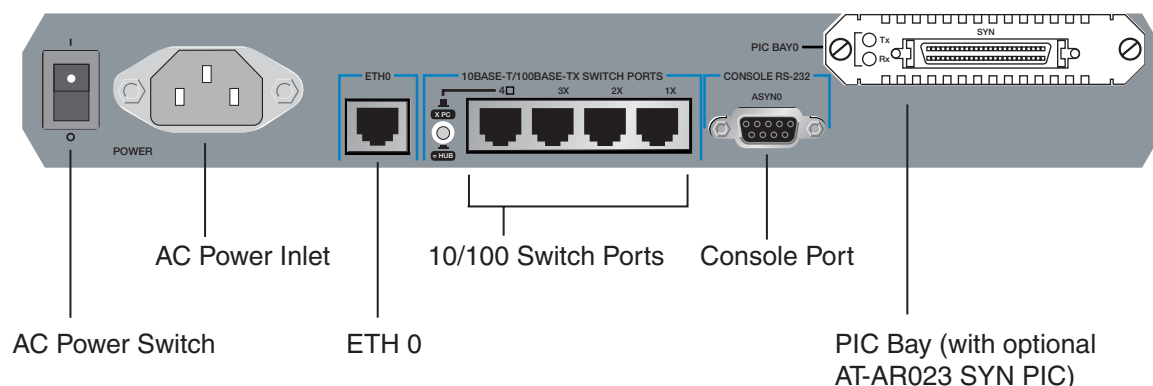
7. Apply power to the router.

Fit the power cord retaining clip to the AC power inlet on the router's rear panel.

Plug the power cord into the AC power inlet and check that the power switch is in the ON position (see Figure 1 on page -5). The Power LED and System LED will light briefly.

If the power LED fails to light, or the System LED lights continuously, refer to the troubleshooting section later in this guide.

Figure 1: Rear panel of an AR410, showing the AC power inlet, power switch, console port, Ethernet ports, and an optional PIC card.



8. Connect the data cables.

Make sure that each cable connection is secure.

9. Initiate router start-up.

Using the terminal cable supplied, connect a VT100-compatible terminal, or the COM port of a PC running a terminal emulation program such as Windows Terminal, to the Console RS-232 (ASYN 0) port on the router's rear panel.

Set the communication parameters on your terminal or terminal emulation program to:

- Baud rate: 9600
- Data bits: 8
- Parity: None
- Stop bits: 1
- Flow control: Hardware

See the *AR Router Hardware Reference* for more information on configuring emulation software.

10. Log in and set password.

The log in prompt appears on the terminal or PC. If the log in prompt doesn't appear, press [Enter] two or three times.

When the router boots for the first time it automatically creates an account with manager privileges. The account has the log in name "manager" and the password is "friend".

At the log in prompt, enter the log in name and password.

```
Login: manager
```

```
Password: friend
```

The router's command prompt appears and you can now configure the router using the command line interface.



Change the password as soon as possible. Leaving the manager account with the default password is a serious security risk. Make sure you remember the new password as there is no way to retrieve it if it is lost.

Use the following command to change the account password:

```
set password
```

To access help, enter:

```
set help=help-filename
```

where *help-filename* is the name of a help file stored in flash.

To see a list of files stored in flash, enter:

```
show file
```

Help files have an HLP extension.

To display a list of help topics, enter:

```
help
```

To display help on a specific topic, enter:

```
help topic
```

Alternatively, type a question mark (?) at the end of a partially completed command to see a list of valid options.

See the *AR400 Series Router Software Reference* for more information on router start-up and configuration procedures (including a list of message definitions).

LEDs and What They Mean

LEDs indicate the router's operational status and port activity. Descriptions of PIC LEDs can be found in the *PIC Quick Install Guide* and the *PIC Hardware Reference*.

AR410 System LEDs

LED	State	Function
Power	Green	The router is receiving power and the power switch is in the ON position
System	Amber	The router is malfunctioning
	Off	Normal operation
Enabled (PIC Bay 0)	Green	A PIC card is correctly installed and has been detected by the router
	Off	No PIC is installed
Full Dup	Green	The corresponding port is operating at full-duplex
	Off	The corresponding port is operating at half-duplex
Link/ACT	Green	A link has been established through the corresponding port
	Flashing	Data is being transmitted through the corresponding port
	Off	No link is present through the corresponding port
100M	Green	The corresponding port is operating at 100Mbps
	Off	The corresponding port is operating at 10Mbps

Troubleshooting Installation

If you have problems installing the router, try one or more of the following:

No LEDs Light

The most likely reason is that the router is not receiving power. Check the following:

1. Check that the supply outlet's switch is in the ON position.
2. Test the mains power outlet to verify that it is working.

If the problem persists, please contact your authorised Allied Telesyn distributor or reseller.

LEDs Light Incorrectly

If the System LED stays on, the router software has encountered a fatal condition. Contact your authorised Allied Telesyn distributor or reseller.

No Response From the Terminal

1. Is the terminal cable correct for both the terminal and the router? Test the cable operation by connecting Txd and Rxd (pins 2 and 3) together at the router end of the cable. Characters typed on the terminal should be echoed back to the screen.
2. Are the terminal or terminal emulation software communication parameters set correctly? Refer to the *AR Router Hardware Reference* for more information on setting communications parameters.
3. Contact your authorised Allied Telesyn distributor or reseller for assistance.

Log in Name or Password Fails

1. Passwords are case sensitive. Check your spelling and that you are using the right combination of upper and lowercase characters.
2. Contact your authorised Allied Telesyn distributor or reseller for assistance.

Documentation and Tools CD-ROM

The Documentation and Tools CD-ROM bundled with each router contains the complete Document Set for your router. The CD-ROM also includes tools for managing your router.

The Document Set includes:

- The *AR400 Series Router Safety and Statutory Information* booklet, which provides safety and statutory information.
- This *AR400 Series Router Quick Install Guide*, which outlines the procedure for installing an AR400 Series router.
- The *AR Router Hardware Reference*, which provides detailed information on the hardware features of AR routers.
- The *AR400 Series Router Software Reference*, which provides detailed information on configuring the router and its software.
- The *AR400 Series User Guide*, which provides an introduction to the router and its operational features and characteristics.
- AT-TFTP Server for Windows, for downloading software releases.
- Adobe Acrobat Reader, for viewing online documentation.
- Microsoft Internet Explorer.

These documents can also be downloaded from the AR400 Series Router Support Site at www.alliedtelesyn.co.nz/support/ar400/.